

Installation Instructions  
RV plumbing applications

# Hep<sub>v</sub>O

## Sanitary waste valve



**wavin**

# Hep<sub>v</sub>O Sanitary Waste Valve

## Installation Instructions

### Installation on Recreational Vehicles

The purpose of this document is to provide instructions for the installation and use of the Hep<sub>v</sub>O Sanitary Waste Valve on Recreational Vehicles.

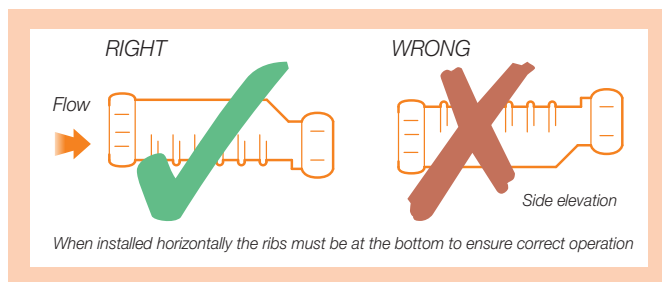
#### 1. General

- ⦿ Hep<sub>v</sub>O is used instead of a P-Trap to protect the living space from foul odors from the grey water tank, black water tank or campground sewer system
- ⦿ Each Hep<sub>v</sub>O is approved to protect one sanitary fixture, which can be a Lavatory, Shower, Bathtub, Single or Double sink, Washing Machine, Dishwasher or Bidet. A single Hep<sub>v</sub>O may only be used to protect multiple fixtures under strictly defined conditions - see Section 5
- ⦿ Hep<sub>v</sub>O eliminates the need to have the fixture it is installed on individually vented (through the roof or anti-siphon venting)

**Note:** all other system and tank venting requirements still apply.

#### 2. Installation (Orientation/Location)

- ⦿ Hep<sub>v</sub>O can be installed vertically or 'horizontally', or any angle in-between. When installing 'horizontally' a minimum allowable slope of 1/8" (3.175mm) per foot (30.48cm) must be maintained to ensure good drainage. This can be achieved by using the Hep<sub>v</sub>O Angled Adapter ref CV11/U
- ⦿ When installed at any angle other than vertically, the Hep<sub>v</sub>O must have 'ribs down' to ensure correct drainage



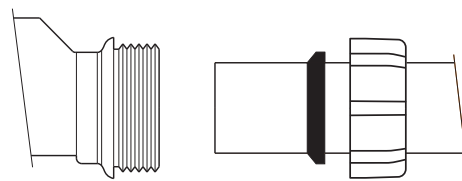
- ⦿ Hep<sub>v</sub>O valves must be installed in the correct direction of flow which is clearly marked on the body of the product
- ⦿ Hep<sub>v</sub>O must be installed either immediately at the exit of each Fixture, or in-line up to a maximum distance of 6ft from the exit of the Fixture. Note that when used to protect a single fixture Hep<sub>v</sub>O must always be installed upstream of any tees or branch connections to other waste pipes
- ⦿ If a Cleanout Fitting would normally be installed within 6ft of the Fixture Outlet then Hep<sub>v</sub>O may be installed instead at that same location to perform the dual function of a Trap and a Cleanout point, provided all other Hep<sub>v</sub>O installation instructions contained in this document are met
- ⦿ Hep<sub>v</sub>O must be installed in an accessible location

#### 3. Installation Method

- ⦿ At the inlet side Hep<sub>v</sub>O can be installed using a 1 1/2" Threaded Connection or via a slip joint connection onto Tubular pipe using In-Line Adapters CV7A/U (1 1/4") or CV7B/U (1 1/2")
- ⦿ At the outlet side Hep<sub>v</sub>O can be installed using a 1 1/2" Threaded Connection or via a slip joint connection onto 1 1/2" Tubular pipe or via a direct glued connection to ABS pipe
- ⦿ Do not use jointing compounds or chemical sealants on any Hep<sub>v</sub>O connections.

#### A. Connections to Tubular Pipe

1. Cut the tube to length, allowing for the full compression socket depth, (preferably using an appropriate tube cutter).
2. If using plastic tube remove any loose material from the inside and the outside of the end of the tube. If using metallic tube remove any burrs or sharp edges from the inside or the outside of the tube and file if necessary. Mark the socket depth on the tube, and check that the tube section to be joined is free of any damage which may affect the joint seal.
3. Unscrew the Hep<sub>v</sub>O slip-nut from the outlet/inlet adaptor and slide the slip-nut, slip washer and rubber seal onto the tube.
4. Insert the tube end fully into the socket.
5. Slide the rubber seal, slip washer and screw slip-nut against the face of the socket, and tighten the slip-nut by hand, (check that the slip-nut is square to the body and does not 'cross-thread'), hand tight should be adequate to form a proper seal.



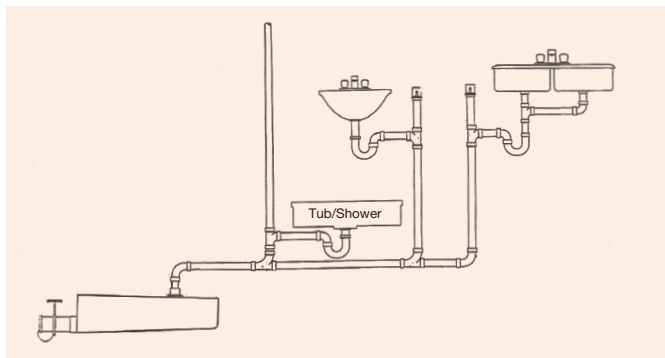
Slip-nut and sealing cone on tube end ready for insertion of tube into compression socket.

#### B. Threaded Connections

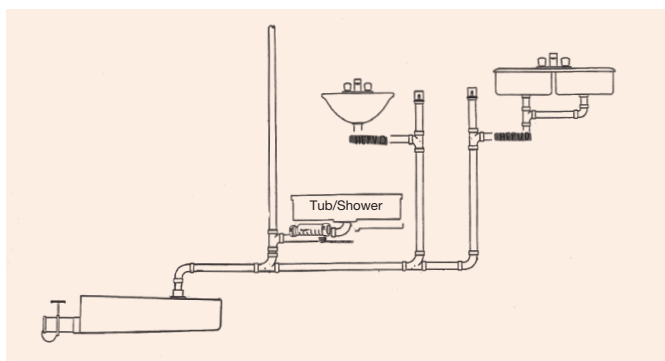
Threaded connections can be made to the inlet or outlet of the Hep<sub>v</sub>O valve. At the outlet (for Valve type BV1B/U) it is first necessary to remove the cap and rubber seal. If making connections to threaded components that do not have an integral seal (for example outlet connections to third party DWV adapters) PTFE/TEFLON tape should be applied to the thread prior to assembly.

## 4. Illustrations / Examples

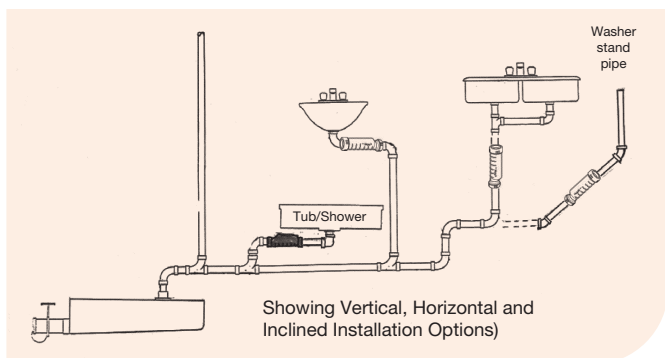
### A. Typical RV Plumbing – Previous Practice



### B. Potential Aftermarket upgrade with Hep,O



### C Typical New RV Plumbing Design using Hep,O



## 5. Multiple Fixture Installations

A single Hep,O can be used to protect two fixtures but only under the following strict conditions:

- ⦿ No more than two fixtures should be connected to a single Hep,O valve which must remain accessible for service if required
- ⦿ Installations for a Washing Machine, Dishwasher or Double Sink must each be protected by their own individual Hep,O – these must NOT be included in any two fixture installation
- ⦿ The maximum distance from any fixture outlet to the inlet of the Hep,O valve should be no more than 6ft

- ⦿ The Hep,O should be installed as far upstream as possible ie as close as possible to the Y or T piece where the waste lines from the two fixtures converge. Hep,O must always be installed with its outlet located more than 12" from the holding tank
- ⦿ It is important to ensure that the holding tank(s) still have their required vent(s). All such vent connections must be located down stream of the Hep,O valve

## 6. Maintenance

No routine or seasonal maintenance is required. However, should you blow-out your drainage lines do not exceed 80-100 psi.

- ⦿ Hep,O is resistant to standard caustic-based drain cleaners. It is also resistant to acid-based cleaners with concentrations up to 10%. When flushing with higher concentrations of acid based cleaner, the valve must be removed before the operation
- ⦿ If mechanical drain cleaning devices are to be used it is necessary to first remove Hep,O from the Waste System. This provides a useful access point for servicing downstream pipework
- ⦿ It is good practice to rinse the Hep,O valve with clean water after any maintenance procedure

## 7. Parts List

### A. New Build

#### Valves

- BV1B/U = Hep,O Waste Valve – 1½" Tubular Slip Joint Outlet
- BV1B/U1 = Hep,O Waste Valve – 1½" Threaded Outlet
- BV1B/US = Hep,O Waste Valve, – 1½" Glued ABS Outlet

#### Adapters

- CV11/U\* = 87.5° Angled Adapter for Horizontal Installation
- CV7A/U\* = In-Line Adapter for 1¼" Slip Joint Connection at Inlet
- CV7B/U\* = In-Line Adapter for 1½" Slip Joint Connection at Inlet
- SBV/U\* = Female Adapter for 1½" glued ABS connection at outlet

\* Installation Adapters CV11/U, CV7A/U, CV7B/U and SBV/U are solely designed to be used to ensure correct installation of the Hep,O Sanitary Waste Valve and must not be used for any other purpose

### B. Aftermarket

- BV1B/UA = 1¼" Kit comprising BV1B/U, CV11/U and CV7A/U
- BV1B/UB = 1½" Kit comprising BV1B/U, CV11/U and CV7B/U
- SBV/US = Female Adapter for 1½" glued ABS connection at outlet

## 8. Technical Support

Toll free Helpline 800-257-5566 or  
e-mail [hepv0@sunbeltmarketing.com](mailto:hepv0@sunbeltmarketing.com)

BV1B/UB – 1 1/2"

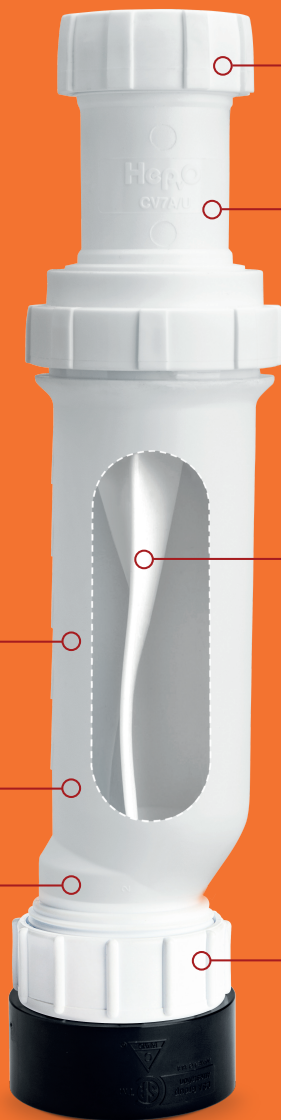
# Hep<sub>v</sub>O Waterless RV Trap

## Stop foul odors from entering RVs.

Compact design means  
Hep<sub>v</sub>O is ideal for installation  
in confined areas.

Silent operation  
– no gurgling.

Eliminates need for  
water seal. Therefore  
no evaporation or  
siphonage of trap.



1 1/4" or 1 1/2" In Line or Angled  
Adaptor with slip joint connection.

1 1/2" Threaded Connection  
to Fixture or Adaptors  
Supplied With Kit.

Prevents the escape of  
foul sewer air from waste  
discharge systems.

Actively maintains  
a pressure equilibrium  
in soil and waste  
installations.

Prevents waste water  
back-up into appliance.

SBV/U Hep<sub>v</sub>O Outlet  
Various outlet options  
are available: Universal  
Slip Joint for 1 1/2" Tubular  
Pipe; or 1 1/2" Male Thread;  
or Socket for glued  
connection to ABS pipe.

© Copyright Wavin Limited

™ Hep<sub>v</sub>O is a trademark of Wavin Limited.

For further information on and other Wavin  
products visit: [www.wavin.co.uk](http://www.wavin.co.uk)

For technical enquiries email:  
[technical.design@wavin.co.uk](mailto:technical.design@wavin.co.uk)

Wavin Edlington Lane,  
Edlington, Doncaster DN12 1BY  
United Kingdom  
Tel +44 (0)1709 856300

UK Patent Nos. 2320310 - 2352496 - 2352497

US Patent No. 7509978

UK Design Reg. No. 2061474

European Patent No. 0941433

**TOLL FREE HELPLINE USA:**

**800-257-5566**

[www.sunbeltmarketing.com/hepvo](http://www.sunbeltmarketing.com/hepvo)



Wavin is part of Orbia, a community  
of companies working together  
to tackle some of the world's most  
complex challenges. We are  
bound by a common purpose:  
To Advance Life Around the World.



### North American contacts

Sunbelt Marketing  
Tollfree Helpline 800-257-5566  
[www.sunbeltmarketing.com/hepvo](http://www.sunbeltmarketing.com/hepvo)  
e-mail [hepvo@sunbeltmarketing.com](mailto:hepvo@sunbeltmarketing.com)



© 2022 Wavin Limited Wavin operates a programme of continuous product development, and therefore reserves the right to modify or amend the specification of their products without notice. All information in this publication is given in good faith, and believed to be correct at the time of going to press. However, no responsibility can be accepted for any errors, omissions or incorrect assumptions. Users should satisfy themselves that products are suitable for the purpose and application intended.

For further product information visit: [www.wavin.co.uk](http://www.wavin.co.uk)